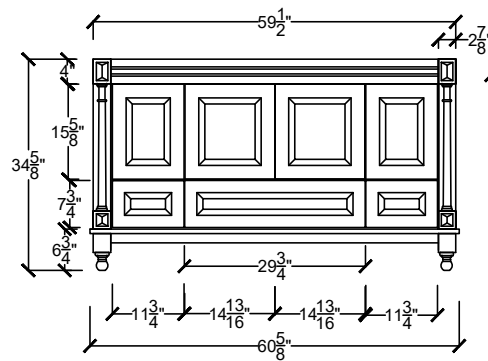
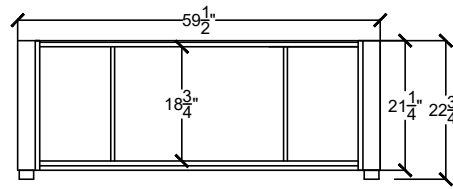
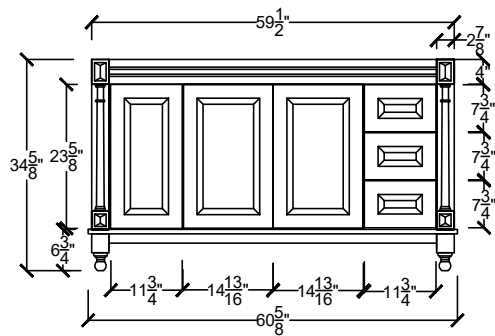
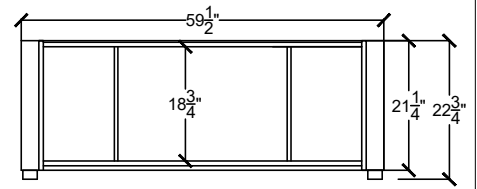


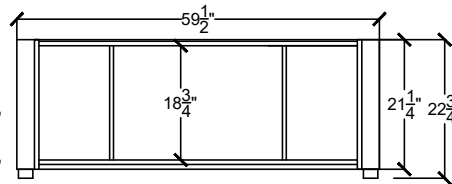
LEXV 6022 - \_ \_ \_ \_  
 CENTER BOWL SINK

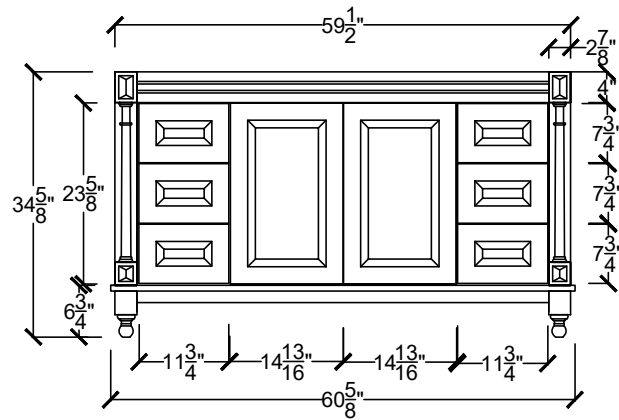


LEXV 6022 BD- \_ \_ \_ \_  
 CENTER BOWL SINK

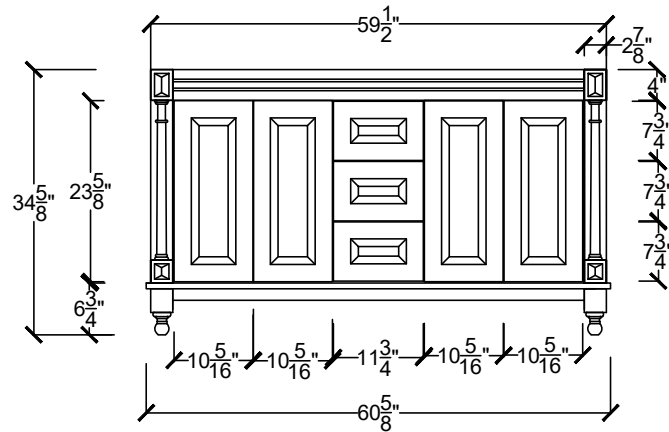
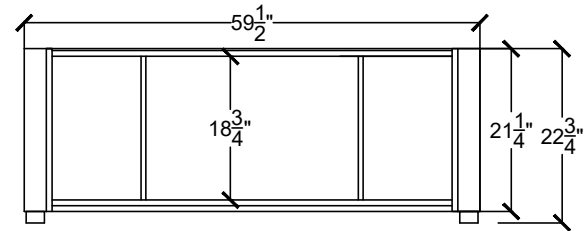


LEXV 6022 3DL OR 3DR- \_ \_ \_ \_

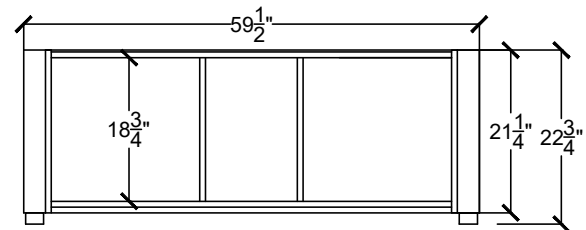


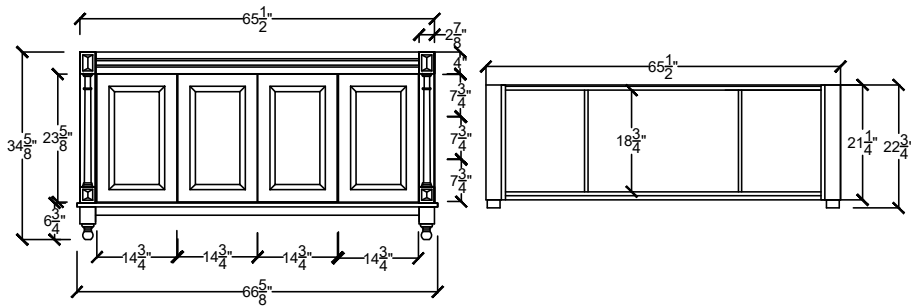


LEXV 6022 6D-\_\_\_\_-\_\_\_\_-

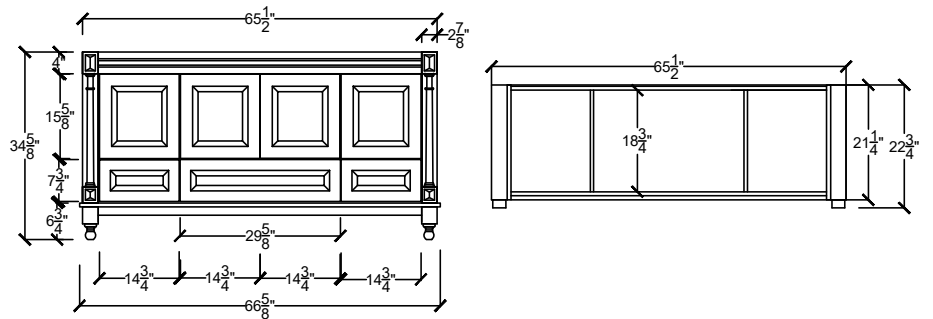


LEXV 6022 3DC-\_\_\_\_-\_\_\_\_-

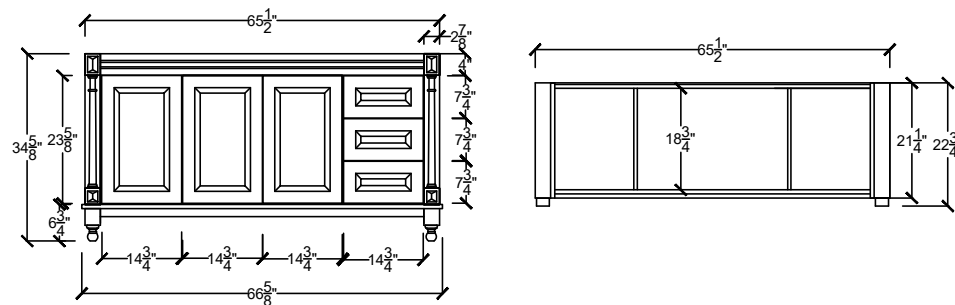




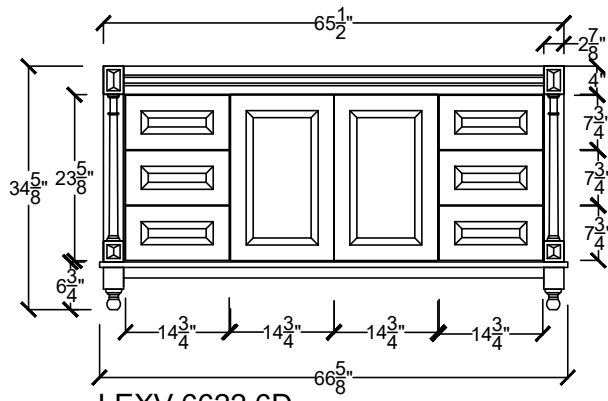
LEXV 6622 - - - - -  
CENTER BOWL SINK



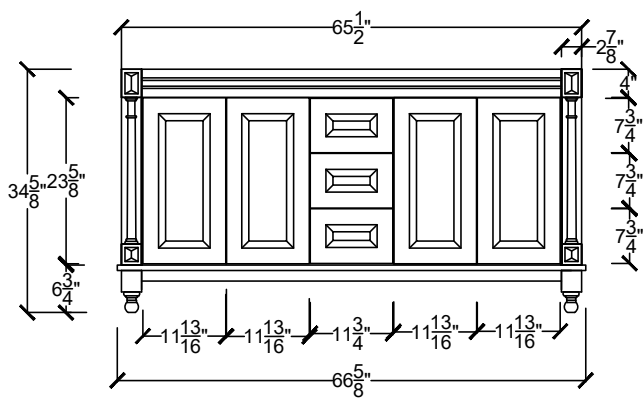
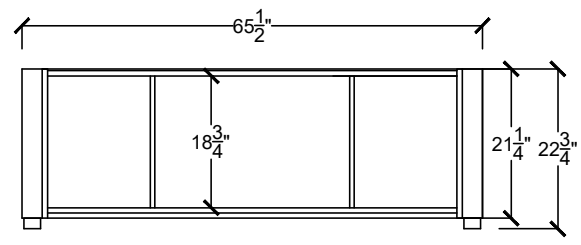
LEXV 6622 BD- - - - -  
CENTER BOWL SINK



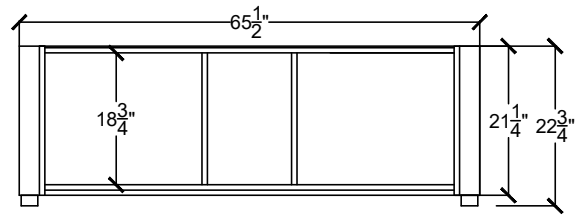
LEXV 6622 3DL OR 3DR- - - - -

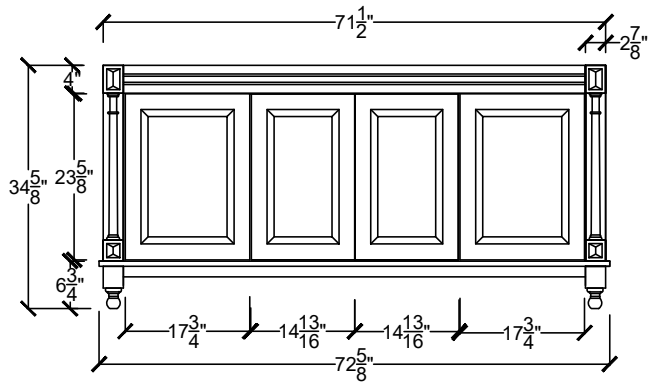


LEXV 6622 6D- \_\_\_\_\_ - \_\_\_\_\_ - \_\_\_\_\_

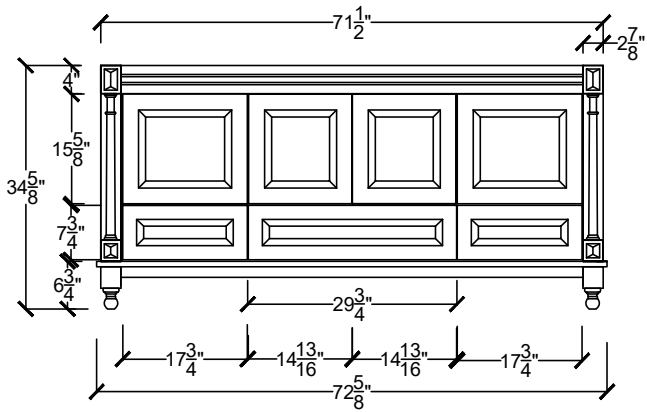
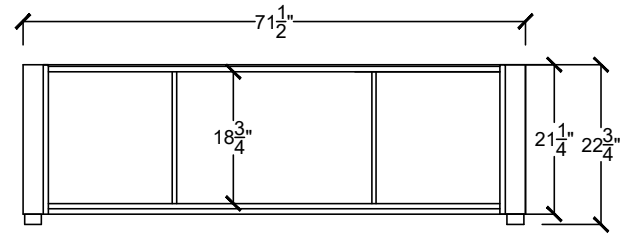


LEXV 6622 3DC- \_\_\_\_\_ - \_\_\_\_\_ - \_\_\_\_\_

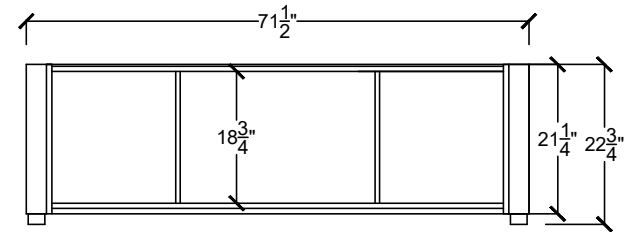


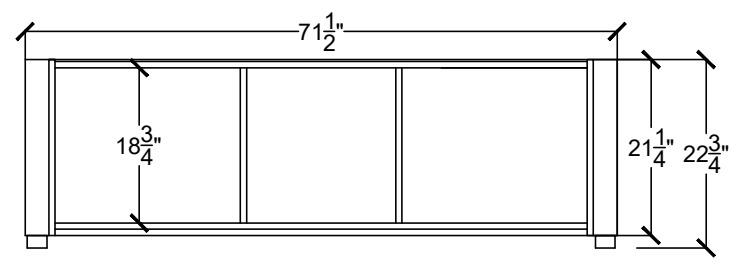
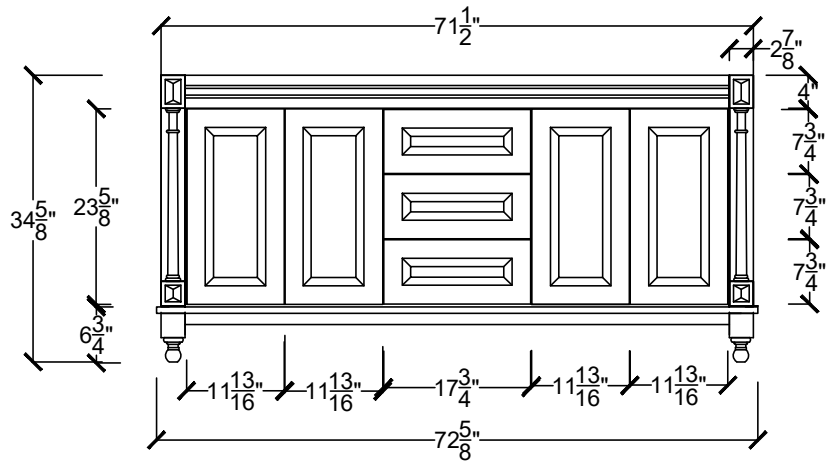


LEXV 7222 - \_\_\_\_\_ - \_\_\_\_\_ - \_\_\_\_\_  
 CENTER BOWL SINK



LEXV 7222 BD- \_\_\_\_\_ - \_\_\_\_\_ - \_\_\_\_\_  
 CENTER BOWL SINK





LEXV 7222 3DC-\_\_\_\_-\_\_\_\_-\_\_\_\_